

## NDS3585 4 Tuner Input, DVB-T/T2 IRD, 1 ASI & 4 IP



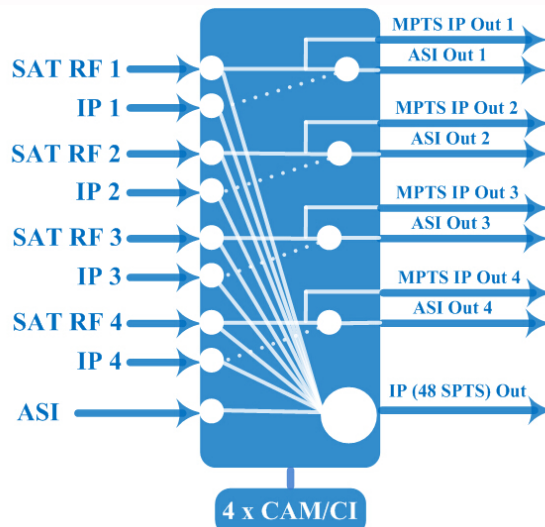
### Product Introduction

NDS3585 IRD is DEXIN's new design which integrates demodulation (DVB-C, T/T2, S/S2 optional), de-scrambler and multiplexing in one case to convert RF signals into TS output. It is a 1-U case which supports 4 tuner inputs, 1 ASI and IP. The 4 CAMs/CIs accompanied can descramble the programs input from encrypted RF, ASI and IP. The CAM requires NO unsightly external power cords, cables, or additional remote control device. To meet customers' various requirements, NDS358X is also designed to de-mux programs from any input, and output TS over 48 SPTS & 4 MPTS UDP, RTP/RTSP.

### Features

- 4 Tuner inputs (DVB-C, T/T2, S/S2 Optional)
- 1 ASI & 4 IP (UDP) input
- One CAM can decrypt multiple programs from Tuners/ASI/IP
- IP (48 SPTS, 4 MPTS) over UDP and RTP/RTSP output;
- 4 groups of independent ASI out for tuner/IP pass through (one-to-one)
- Support maximum 128 PID mapping per input
- LCD display, Remote control and Firmware, web NMS management
- Updates via web
- Best quality and breakthrough price

### Principle Chart



Choose 4 channels from the 9 inputs to descramble  
 CI 1 & 2 are designed to descramble tuner 1/2, ASI or IP 1-4.  
 CI 3 & 4 are designed to descramble tuner 3/4, ASI or IP 1-4.  
 ASI out and MPTS IP out are for passthrough RF/IP inputs one to one.

## Specifications:

### Input

4x RF (DVB-C, T/T2, S/S2 optional), F type
1xASI input for de-mux, BNC interface
4xIP input for de-mux (UDP)

### Tuner Section

<b>DVB-C</b>	
Standard	J.83A(DVB-C), J.83B, J.83C
Input Frequency	47 MHz~860 MHz
Constellation	16/32/64/128/256 QAM
<b>DVB-T/T2</b>	
Input Frequency	44-1002 MHz
Bandwidth	6M, 7M, 8M

### Output

IP	48*SPTS over UDP, RTP/RTSP. 1000M Base-T Ethernet interface (unicast/multicast) 4*MPTS over UDP, RTP/RTSP. 1000M Base-T Ethernet interface, for RF in passthrough (one-to-one)
ASI	4 groups BNC interface, for RF or IP in passthrough (one-to-one)

### System

Local interface	LCD + control buttons
Remote management	Web NMS Management
Language	English

### General

Power supply	AC 100V~240V
Dimensions	482*400*44.5mm
Weight	3 kgs
Operation temperature	0~45°C